



STRIKER 150
RY-150SK



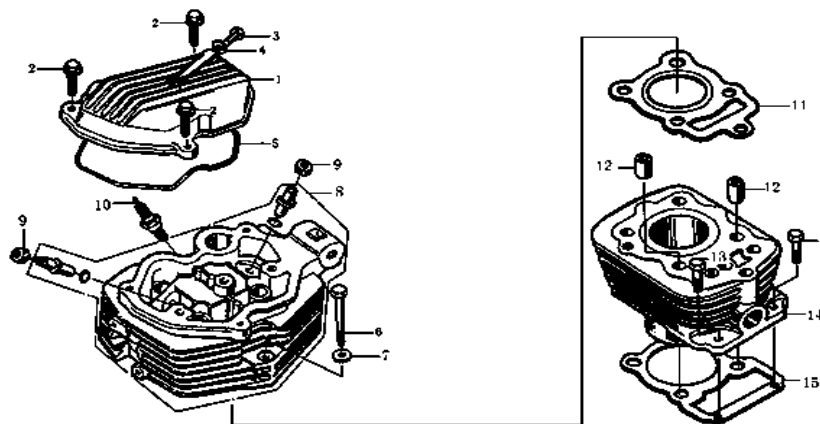
SPARES

ENGINE PARTS

INDEX

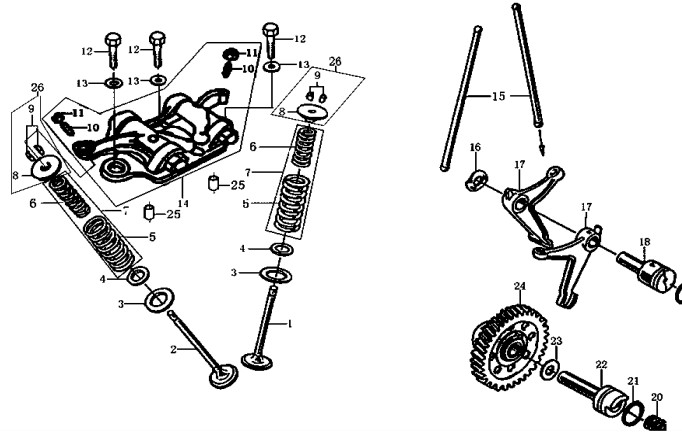
ASSY NO.	DESCRIPTION	PAGE NO.
A1	CYLINDER BLOCK/CYLINDER HEAD ASSY	1
A2	VALVE/CAM SHAFT ASSY	2-3
A3	CRANKSHAFT ASSY	4
A4	CRANKCASE ASSY	5-7
A5	OIL PUMP/OIL FILTER ASSY	8-9
A6	CLUTCH ASSY	10
A7	CRANKCASE COVERS	11-12
A8	TRANSMISSION ASSY	13-15
A9	GEAR SHAFT ASSY	16-17
A10	MAGNETO ASSY	18
A11	STARTING MOTOR ASSY	19

A1 - CYLINDER BLOCK/CYLINDER HEAD ASSY



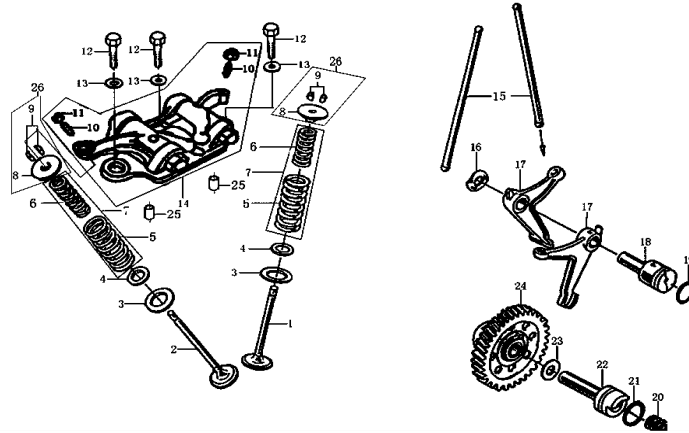
S.NO.	PART CODE	DESCRIPTION	QUANTITY
A1 - 1	100205602-0005	CYLINDER HEAD COVER	1
A1 - 2	100011269-0003	BOLT M6×28	3
A1 - 3	100011261-0004	BOLT M6×12	1
A1 - 4	100106538	WASHER Φ6.2×1.5×Φ13	1
A1 - 5	100104521	SEAL RING	1
A1 - 6	100100336-0007	BOLT M8×78	1
A1 - 7	100106576	WASHER Φ8.5×2×Φ18	1
A1 - 8	100207995-0104	CYLINDER HEAD COMP	1
A1 - 9	100105336	SEAL VALVE STEM	2
A1 - 10	100104137	SPARK PLUG	1
A1 - 11	100104625	GASKET, CYLINDER HEAD	1
A1 - 12	100031687	PIN 10×20	2
A1 - 13	100011267-0003	BOLT M6×22	2
A1 - 14	100053339-0007	CYLINDER BLOCK	1
A1 - 15	100108519	GASKET, CYLINDER BLOCK	1

A2 - VALVE/CAM SHAFT ASSY



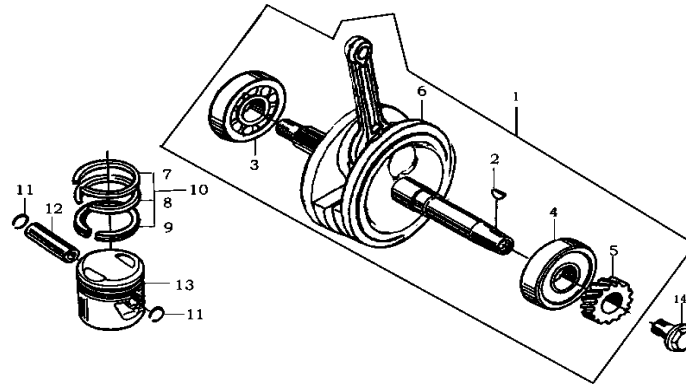
S.NO.	PART CODE	DESCRIPTION	QUANTITY
A2 - 1	100105267	INLET VALVE	1
A2 - 2	100105282	EXHAUST VALVE	1
A2 - 3	100105315	SEAT, VALVE SPRING OUTER	2
A2 - 4	100105325	SEAT, VALVE SPRING INNER	2
A2 - 5	100105292	VALVE SPRING, OUTER	2
A2 - 6	100066445	VALVE SPRING, INNER	2
A2 - 7	100065227	VALVE SPRING ASSY	2
A2 - 8	100105308	RETAINER, VALVE SPRING	2
A2 - 9	100050896	CLIP, VALVE	4
A2 - 10	100105169	SCREW, VALVE CLEARANCE ADJUSTMENT	2
A2 - 11	100105158	NUT M6, VALVE CLEARANCE ADJUSTMENT	2
A2 - 12	100100483	BOLT M8×28	3
A2 - 13	100106576	WASHER Ø8.5×2×Ø18	3
A2 - 14	100200421	ROCKER ARM BASE	1
A2 - 15	100200304	PUSH ROD	2

A2 - VALVE/CAM SHAFT ASSY



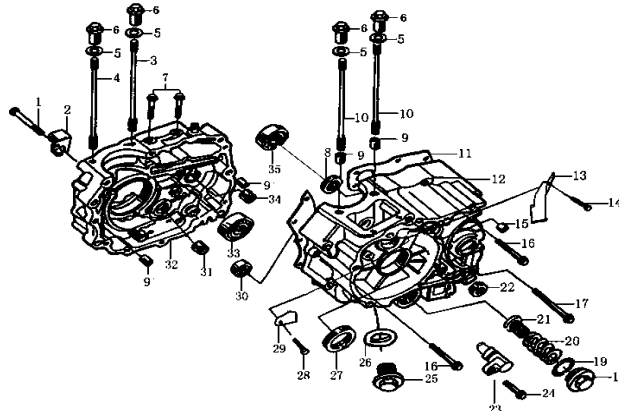
S.NO.	PART CODE	DESCRIPTION	QUANTITY
A2 - 16	100106645	WASHER $\Phi 12.3 \times 0.2 \times \Phi 20.9$	1
A2 - 17	100105172	ROCKER ARM	2
A2 - 18	100105175	SHAFT, ROCKER ARM	1
A2 - 19	100107691	O-RING 18×2.5	1
A2 - 20	100104988	SPRING	1
A2 - 21	100107704	O-RING 20×2.5	1
A2 - 22	100052427	CAM SHAFT	1
A2 - 23	100106407	WASHER $\Phi 14.2 \times 1 \times \Phi 24$	1
A2 - 24	100104989	CAM GEAR, TIMING	1
A2 - 25	100010557	PIN 10×14	2
A2 - 26	100076575	SPRING RETAINER COMBINATION	2

A3 - CRANKSHAFT ASSY



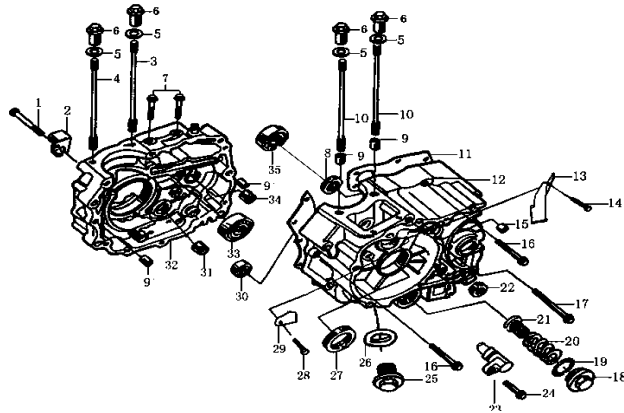
S.NO.	PART CODE	DESCRIPTION	QUANTITY
A3 - 1	100055614	CRANKSHAFT ASSY	1
A3 - 2	100100643	WOODRUFF KEY	1
A3 - 3	100101055	BEARING,(63/28_P5)	1
A3 - 4	100101197	BEARING,(63/28_RS_P5)	1
A3 - 5	100101958	DRIVE GEAR, TIMING	1
A3 - 6	100072859	CRANKSHAFT L/R AND CON ROD (WITHOUT BEARING)	1
A3 - 7	100101558	PISTON RING,1	1
A3 - 8	100101566	PISTON RING,2	1
A3 - 9	100101686	PISTON RING COMBINATION	1
A3 - 10	100101626	PISTON RING SET	1
A3 - 11	100100582	CIRCLIP 17.2MM	2
A3 - 12	100101524	PISTON PIN	1
A3 - 13	100067452	PISTON	1
A3 - 14	100050578	BOLT M10×36	1

A4 - CRANKCASE ASSY



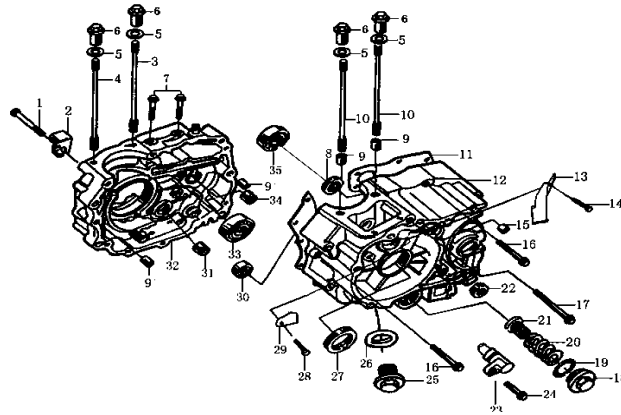
S.NO.	PART CODE	DESCRIPTION	QUANTITY
A4 - 1	100031958-0007	BOLT M6×55	1
A4 - 2	100106282-0005	STAY, CLUTCH CABLE	1
A4 - 3	100100235	STUD A M8×126	1
A4 - 4	100100236	STUD B M8×126	1
A4 - 5	100106609	WASHER Φ12.5×2×Φ22	4
A4 - 6	100100532-0001	NUT M8	4
A4 - 7	100011269-0003	BOLT M6×28	2
A4 - 8	100104702	OIL SEAL 20×34×7	1
A4 - 9	100010557	PIN 10×14	4
A4 - 10	100100294	STUD C M8×132	2
A4 - 11	100104583	GASKET	1
A4 - 12	100304444-0010	LEFT CRANKCASE COMP	1
A4 - 13	100102901	POSITION PLATE	1
A4 - 14	100055591-0006	BOLT M6×12	1
A4 - 15	100101202	BEARING	1

A4 - CRANKCASE ASSY



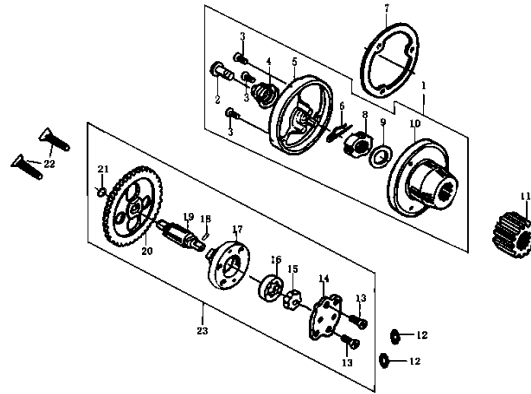
S.NO.	PART CODE	DESCRIPTION	QUANTITY
A4 - 16	100011540-0007	BOLT M6×50	9
A4 - 17	100031961-0007	BOLT M6×95	1
A4 - 18	100102871-0002	OIL FILTER COVER	1
A4 - 19	100107767	O-RING 35×3	1
A4 - 20	100104866	SPRING	1
A4 - 21	100104943	STRAINER, OIL FILTER	1
A4 - 22	100104652	OIL SEAL 14×28×7	1
A4 - 23	100103008	PRESSURE PIN	1
A4 - 24	100011534-0002	BOLT M6×25	1
A4 - 25	100100331-0006	DRAIN PLUG	1
A4 - 26	100106548	WASHER $\Phi 12.1 \times 2 \times \Phi 20$	1
A4 - 27	100104674	OIL SEAL 34×50×7	1
A4 - 28	100011171-0002	BOLT M6×12	1
A4 - 29	100104985	CAMSHAFT STOPPER	1
A4 - 30	100101222	BEARING,(6202Z)	1

A4 - CRANKCASE ASSY



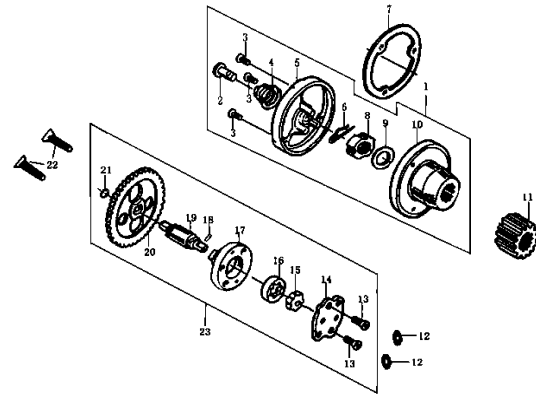
S.NO.	PART CODE	DESCRIPTION	QUANTITY
A4 - 31	100101062	NEEDLE BEARING,(HK21×28×10)	1
A4 - 32	100102313-0018	RIGHT CRANKCASE COMP	1
A4 - 33	100010672	BEARING, 6006	1
A4 - 34	100101072	NEEDLE BEARING,(NK152312)	1
A4 - 35	100010679	BEARING, 6204	1

A5 - OIL PUMP/OIL FILTER ASSY



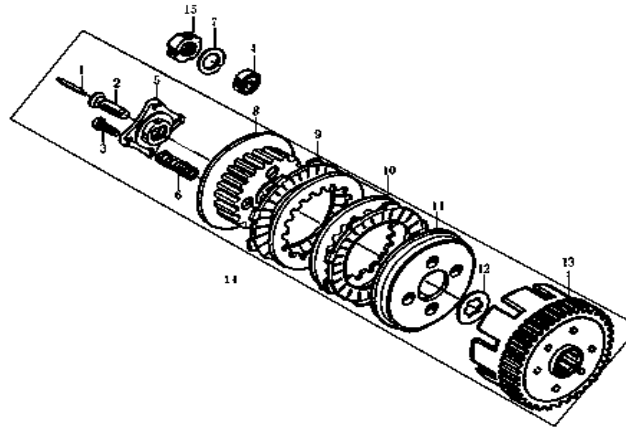
S.NO.	PART CODE	DESCRIPTION	QUANTITY
A5 - 1	100104840	OIL FILTER COMP	1
A5 - 2	100104843	OIL PIPE	1
A5 - 3	100010969-0001	SCREW M5×12	3
A5 - 4	100104844	SPRING	1
A5 - 5	100104848	COVER, OIL FILTER	1
A5 - 6	100104850	LIMIT PIN	1
A5 - 7	100104599	GASKET	1
A5 - 8	100100523	NUT M16	1
A5 - 9	100103345	WASHER $\Phi 16.5 \times 2 \times \Phi 27$	1
A5 - 10	100104847	BODY, OIL FILTER	1
A5 - 11	100055615	DRIVEN GEAR	1
A5 - 12	100107844	O-RING 9.4×2.4	2
A5 - 13	100010946-0003	SCREW M4×10	2
A5 - 14	100100161	INNER PLATE, OIL PUMP	1
A5 - 15	100100190	INNER ROTATOR	1

A5 - OIL PUMP/OIL FILTER ASSY



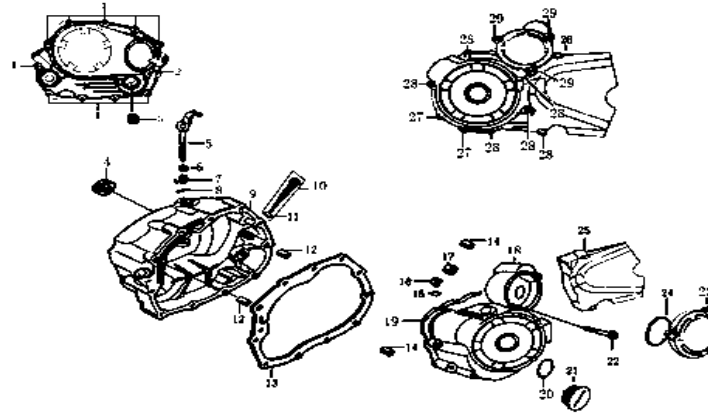
S.NO.	PART CODE	DESCRIPTION	QUANTITY
A5 - 16	100100200	OUTER ROTATOR	1
A5 - 17	100100181	BODY, OIL PUMP	1
A5 - 18	100032890	PIN 2.5×10	1
A5 - 19	100100152	SHAFT, OIL PUMP	1
A5 - 20	100100173	DRIVEN GEAR	1
A5 - 21	100011111	RETAINING RING	1
A5 - 22	100010974-0001	SCREW M6×30	2
A5 - 23	100100035	OIL PUMP ASSY	1

A6 - CLUTCH ASSY



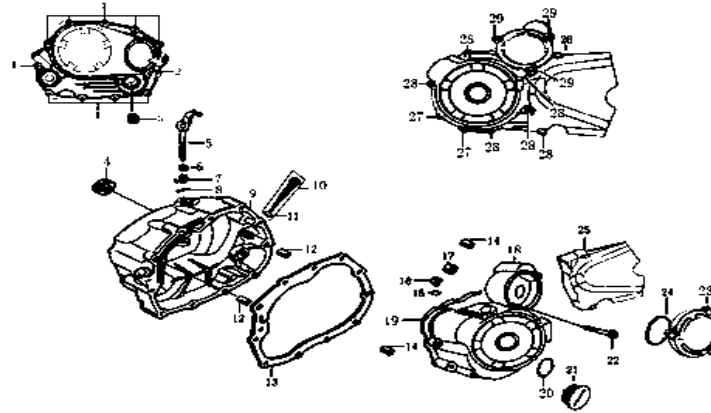
S.NO.	PART CODE	DESCRIPTION	QUANTITY
A6 - 1	100103429	ROD, CLUTCH PUSH	1
A6 - 2	100103431	SEPARATING AXLE SLEEVE	1
A6 - 3	100100429-0002	BOLT M5×20	6
A6 - 4	100010690	BEARING, 16003	1
A6 - 5	100103373	CLUTCH END COVER	1
A6 - 6	100103392	SPRING	6
A6 - 7	100103345	CIRCLIP 20MM	1
A6 - 8	100103360	CENTER SLEEVE, CLUTCH	1
A6 - 9	100103413	CLUTCH FRICTION PLATE	6
A6 - 10	100103422	CLUTCH PLATE	5
A6 - 11	100103376	PRESSURE PLATE	1
A6 - 12	100103341	SPLINE WASHER	1
A6 - 13	100107924	OUTER COMP,CLUTCH	1
A6 - 14	100103303	CLUTCH BODY ASSY	1
A6 - 15	100100523	NUT M16	1

A7 - CRANKCASE COVERS



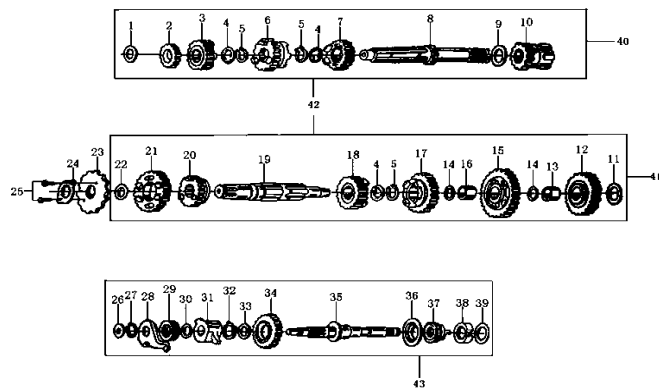
S.NO.	PART CODE	DESCRIPTION	QUANTITY
A7 - 1	100011538-0003	BOLT M6×40	10
A7 - 2	100011540-0007	BOLT M6×50	1
A7 - 3	100101319	OIL LEVEL WINDOW	1
A7 - 4	100104735	OIL SEAL 16×28×7	1
A7 - 5	100106290-0004	CLUTCH ROD	1
A7 - 6	100104756	O-RING 6.5×1.9	2
A7 - 7	100103443	SPRING	1
A7 - 8	100100636-0001	PIN 3×12, CLUTCH ROD	1
A7 - 9	100103153-0572	RIGHT CRANKCASE COVER	1
A7 - 10	100104887	DIPSTICK OIL GAUGE	1
A7 - 11	100031573	O-RING 18×3	1
A7 - 12	100100868	DOWEL PIN 8×14×6.3	2
A7 - 13	100104571	GASKET	1
A7 - 14	100010557	PIN 10×14	2
A7 - 15	100010118	O-RING 13.2×2.65	1

A7 - CRANKCASE COVERS



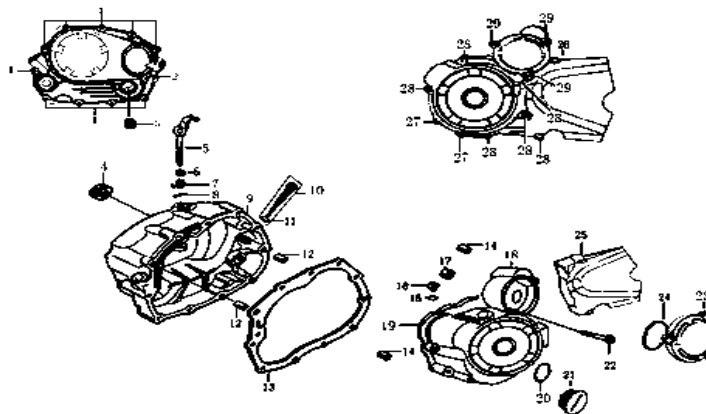
S.NO.	PART CODE	DESCRIPTION	QUANTITY
A7 - 16	100103059-0017	PLUG, WATCH HOLE	1
A7 - 17	100101202	BEARING	1
A7 - 18	100102783-0005	LEFT CRANK CASE COVER	1
A7 - 19	100104546	GASKET	1
A7 - 20	100107733	O-RING 27.4x2.65	1
A7 - 21	100103062-0016	COVER	1
A7 - 22	100011534-0002	BOLT M6x25	1
A7 - 23	100100005-0013	COVER REDUCTION GEAR	1
A7 - 24	100107810	O-RING 62x3	1
A7 - 25	100063714-0002	CHAIN GUARD, LEFT CRANK CASE	1
A7 - 26	100011536-0002	BOLT M6x28	2
A7 - 27	100011540-0007	BOLT M6x50	2
A7 - 28	100011538-0003	BOLT M6x40	6
A7 - 29	100055588-0006	BOLT M6x20	3

A8 - TRANSMISSION ASSY



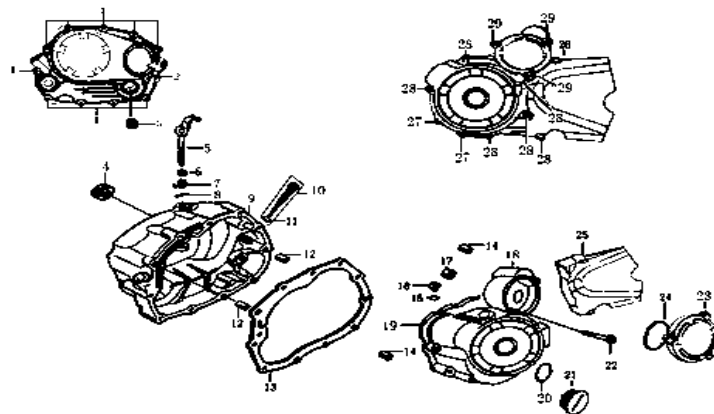
S.NO.	PART CODE	DESCRIPTION	QUANTITY
A8 - 1	100106510	WASHER $\Phi 15.2 \times 1 \times \Phi 25$	1
A8 - 2	100103607	SECOND GEAR, MAIN SHAFT	1
A8 - 3	100103610	FIFTH GEAR, MAIN SHAFT	1
A8 - 4	100103647	WASHER $\Phi 17.3(20) \times 1.6 \times \Phi 26$	3
A8 - 5	100103658	CIRCLIP 22.1MM	3
A8 - 6	100103609	FOURTH GEAR, MAIN SHAFT	1
A8 - 7	100103628	THIRD GEAR, MAIN SHAFT	1
A8 - 8	100103587	MAIN SHAFT	1
A8 - 9	100106525	WASHER $\Phi 20.2 \times 0.5 \times \Phi 27$	1
A8 - 10	100053061	STARTING GEAR, MAIN SHAFT	1
A8 - 11	100106511	WASHER $\Phi 15.2 \times 1 \times \Phi 30$	1
A8 - 12	100103778	STARTING GEAR, COUNTER SHAFT	1
A8 - 13	100103565	BUSH 20x8	1
A8 - 14	100106434	WASHER $\Phi 16.5 \times 0.5 \times \Phi 24$	2
A8 - 15	100103716	FIRST GEAR, COUNTER SHAFT	1

A8 - TRANSMISSION ASSY



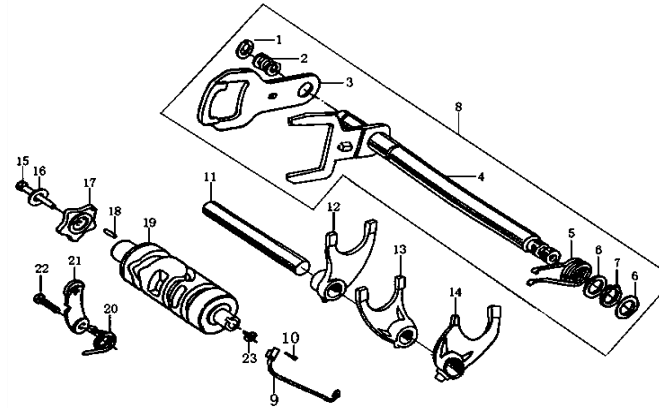
S.NO.	PART CODE	DESCRIPTION	QUANTITY
A8 - 16	100103564	BUSH 19.5x7.5	1
A8 - 17	100103738	THIRD GEAR, COUNTER SHAFT	1
A8 - 18	100103719	FOURTH GEAR, COUNTER SHAFT	1
A8 - 19	100103689	COUNTER SHAFT	1
A8 - 20	100103720	FIFTH GEAR, COUNTER SHAFT	1
A8 - 21	100103717	SECOND GEAR, COUNTER SHAFT	1
A8 - 22	100106460	WASHER $\Phi 20 \times 1 \times \Phi 27$	1
A8 - 23	100103810	OUTPUT SPROCKET	1
A8 - 24	100103850	LOCATING PLATE SPROCKET	1
A8 - 25	100031911-0004	BOLT M6x10	2
A8 - 26	100106396	WASHER $\Phi 12.1 \times 1 \times \Phi 18$	1
A8 - 27	100011098	CIRCLIP 16MM	1
A8 - 28	100105793	RATCHET GUIDE	1
A8 - 29	100105788	RATCHET SPRING	1
A8 - 30	100106425	WASHER $\Phi 16.1 \times 1 \times \Phi 24$	1

A8 - TRANSMISSION ASSY



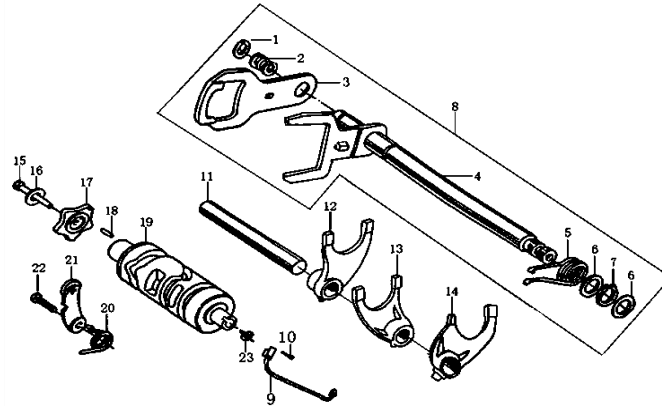
S.NO.	PART CODE	DESCRIPTION	QUANTITY
A8 - 31	100105784	RATCHET GEAR	1
A8 - 32	100100598	CIRCLIP 18.5 MM	1
A8 - 33	100106522	WASHER $\Phi 20 \times 0.5 \times \Phi 27$	1
A8 - 34	100102487	STARTING GEAR	1
A8 - 35	100105753-0001	STARTING SHAFT	1
A8 - 36	100105740	SPRING SEAT	1
A8 - 37	100105746	RESET SPRING	1
A8 - 38	100105763	SPRING SLEEVE	1
A8 - 39	100106426	WASHER $\Phi 16.1 \times 1 \times \Phi 30$	1
A8 - 40	100055609	MAIN SHAFT ASSY	1
A8 - 41	100078778	COUNTERSHAFT ASSY	1
A8 - 42	100055608	TRANSMISSION ASSY (MAIN & COUNTER SHAFT ASSY)	1
A8 - 43	100201864	KICK STARTING SHAFT ASSY	1

A9 - GEAR SHAFT ASSY



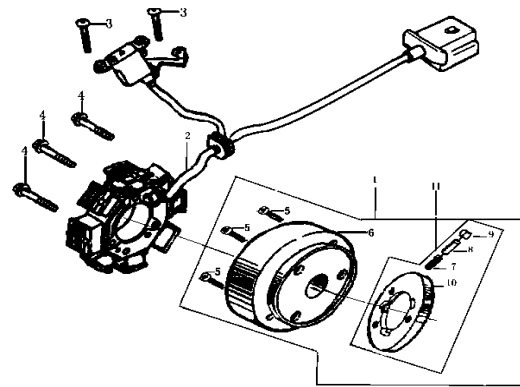
S.NO.	PART CODE	DESCRIPTION	QUANTITY
A9 - 1	100011095	CIRCLIP 12MM	1
A9 - 2	100103978	SPRING,GEARSHIFT PLATE	1
A9 - 3	100103999	GEARSHIFT PLATE	1
A9 - 4	100203914-0004	SHAFT COMP	1
A9 - 5	100203926	RESET SPRING	1
A9 - 6	100106402	WASHER $\Phi 14 \times 0.5 \times \Phi 20$	2
A9 - 7	100011096	CIRCLIP 14MM	1
A9 - 8	100106302-0003	GEARSHIFT SHAFT COMP	1
A9 - 9	100050023-0002	GEARSHIFT SWITCH COMP	1
A9 - 10	100010973-0005	SCREW M6x20	1
A9 - 11	100103914	SHAFT, GEARSHIFT FORK	1
A9 - 12	100103895	FORK, GEAR SHIFT, R	1
A9 - 13	100103904	FORK, CENTER, GEAR SHIFT	1
A9 - 14	100103899	FORK, GEAR SHIFT, L	1
A9 - 15	100100420-0002	BOLT M6x25	1

A9 - GEAR SHAFT ASSY



S.NO.	PART CODE	DESCRIPTION	QUANTITY
A9 - 16	100010886-0005	WASHER Ø6	1
A9 - 17	100103943	CAM, GEAR SHIFT	1
A9 - 18	100032886	PIN 4×10	1
A9 - 19	100103954	DRUM, GEAR SHIFT	1
A9 - 20	100052781	RESET SPRING	1
A9 - 21	100059046	DRUM STOPPER	1
A9 - 22	100011174-0004	BOLT M6×20	1
A9 - 23	100104487	CONTACT SWITCH	1

A10 - MAGNETO ASSY




S.NO.	PART CODE	DESCRIPTION	QUANTITY
A10 - 1	100104200	FLYWHEEL COMP	1
A10 - 2	100205055-0005	STATOR, MAGNETO	1
A10 - 3	100011169-0004	BOLT M5×16	2
A10 - 4	100011170-0003	BOLT M5×25	3
A10 - 5	100100499-0001	BOLT M8×18	3
A10 - 6	100104199	ROTOR, MAGNETO	1
A10 - 7	100103210	SPRING	3
A10 - 8	100103214	SPRING SLEEVE	3
A10 - 9	100103212	ROLLER 10.2x11.5	3
A10 - 10	100202619	START CLUTCH BODY	1
A10 - 11	100103202	START CLUTCH BODY COMP	1

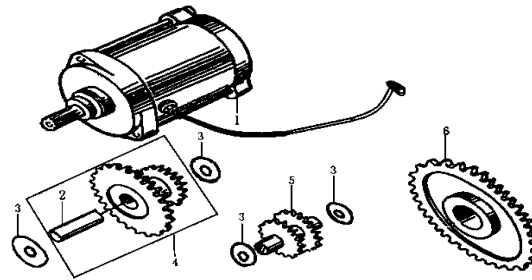


Raybar

www.raybarmotorcycles.com

 /raybarmoto

A11 - STARTING MOTOR ASSY



S.NO.	PART CODE	DESCRIPTION	QUANTITY
A11 - 1	100104226-0197	STARTING MOTOR ASSY	1
A11 - 2	100202640	SHAFT	1
A11 - 3	100106391	WASHER $\Phi 10.5 \times 0.5 \times \Phi 18$	4
A11 - 4	100103249	DOUBLE GEAR ASSY 1	1
A11 - 5	100103220	DOUBLE GEAR ASSY 2	1
A11 - 6	100103263	STARTING GEAR	1